

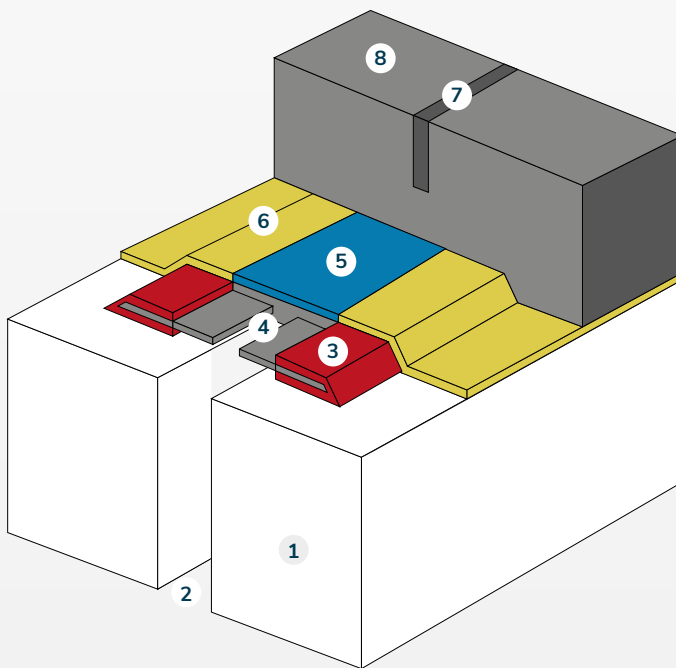
GCP SENTINEL® B

PART 2: BURIED EXPANSION JOINT

(TYPE 1 BURIED JOINT UNDER CONTINUOUS SURFACING)

Incorporating a proprietary PVC flashing strip the expansion joint is designed for horizontal movements in the range of 0 – 20mm. SENTINEL® B is bonded across the expansion gap and is compatible with the ELIMINATOR® waterproofing system to form a continuous waterproofing detail below the asphalt surfacing.

The expansion joint is supplied in 4 sizes; type 5, 10, 15 and 20.



- 1 Bridge Deck
- 2 Expansion Gap
- 3 Metaset® Structural Adhesive
- 4 Sentinel® B20 Expansion Joint
- 5 Bridge Plate Bedded on Metaset® Flex Sealant
- 6 Eliminator® Membrane
- 7 Surface Sealant
- 8 Wearing Surface

Key Features

- Expansion Joint for highway bridges
- Complies with CD357 and ETAG032
- Fast and simple to install
- Cost effective
- Maintenance free
- Installed to the 'as built' geometry of the structure
- Movements of 5mm to 20mm accommodated
- Gap widths up to 50mm
- Installed with ELIMINATOR Bridge Deck Waterproofing system

GCP SENTINEL® B
PART 2: BURIED EXPANSION JOINT
(TYPE 1 BURIED JOINT UNDER CONTINUOUS SURFACING)



Movement range

Type	Horizontal Movement	Optimum Gap width
B5	5mm	30mm
B10	10mm	22-32mm
B15	15mm	22-40mm
B20	20mm	30-50mm

Application

The PVC Extrusions used within the Sentinel Buried Joint range contain polymeric plasticisers which ensure excellent resistance to embrittlement over time. The performance of the Sentinel B Buried Joint range is enhanced by the fact that the PVC Joint is bonded onto the substrate with Stirling Lloyd adhesive CW1 which forms a chemical bond with the PVC Compound and the Stirling Lloyd Primer (PA1, PAR1 & ZED S94 as appropriate). The CW1 also forms a chemical bond with the Stirling Lloyd waterproofing system.

Coverage

For the coverage rates for Primers and Adhesive please refer to the relevant product datasheets.

Health & Safety

Please refer to the safety data sheets for more info.

Packaging & Storage

Sentinel PVC Extrusions are supplied in the following rolls:

795 (loop) PVC strip 20m roll x 225mm width, loop section is 23mm wide x 17mm deep

794 (flat) PVC strip 20m roll x 190mm width

